



WOLF GB08
MISTRAL Circuit
Spare parts catalog



Copyright © 2017 Wolf Racing Cars

All rights reserved. No part of this document may be reproduced or copied in any form or by any means without written permission from Wolf Racing Cars.
The content of this manual is in accordance with the design and construction of the car or equipment at the time of publishing.
Wolf Racing Cars reserves the right to introduce design modifications without prior notice.

AVELON FORMULA

Via Matteotti, 311 - 25063 Gardone Val Trompia (Brescia), Italy
Phone: +39 030 8349756
Fax: +39 030 8913792
Email: info@avelonformula.com

WOLF RACING CARS

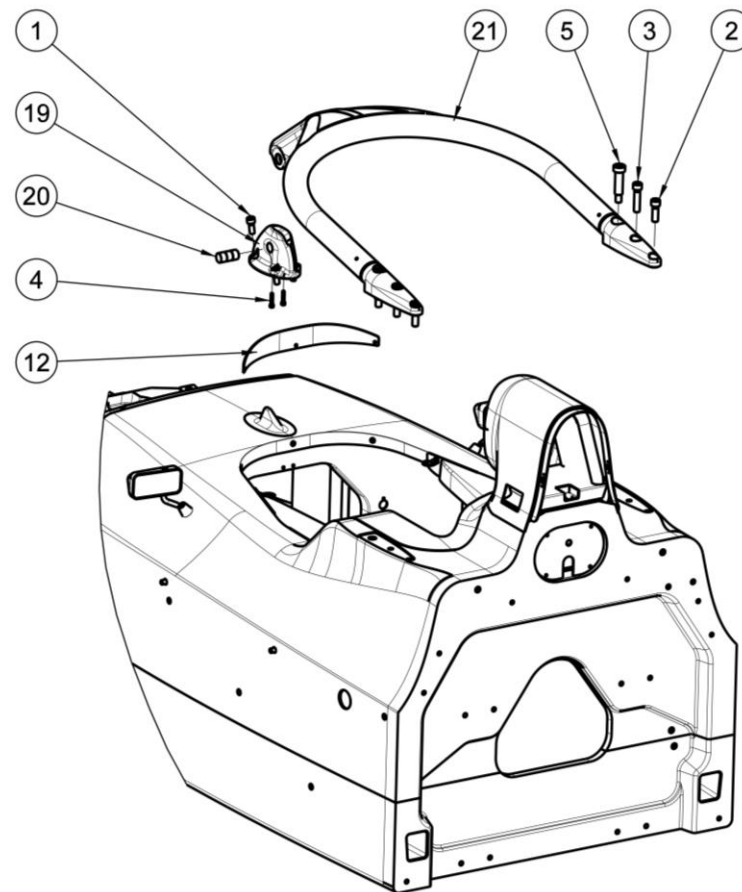
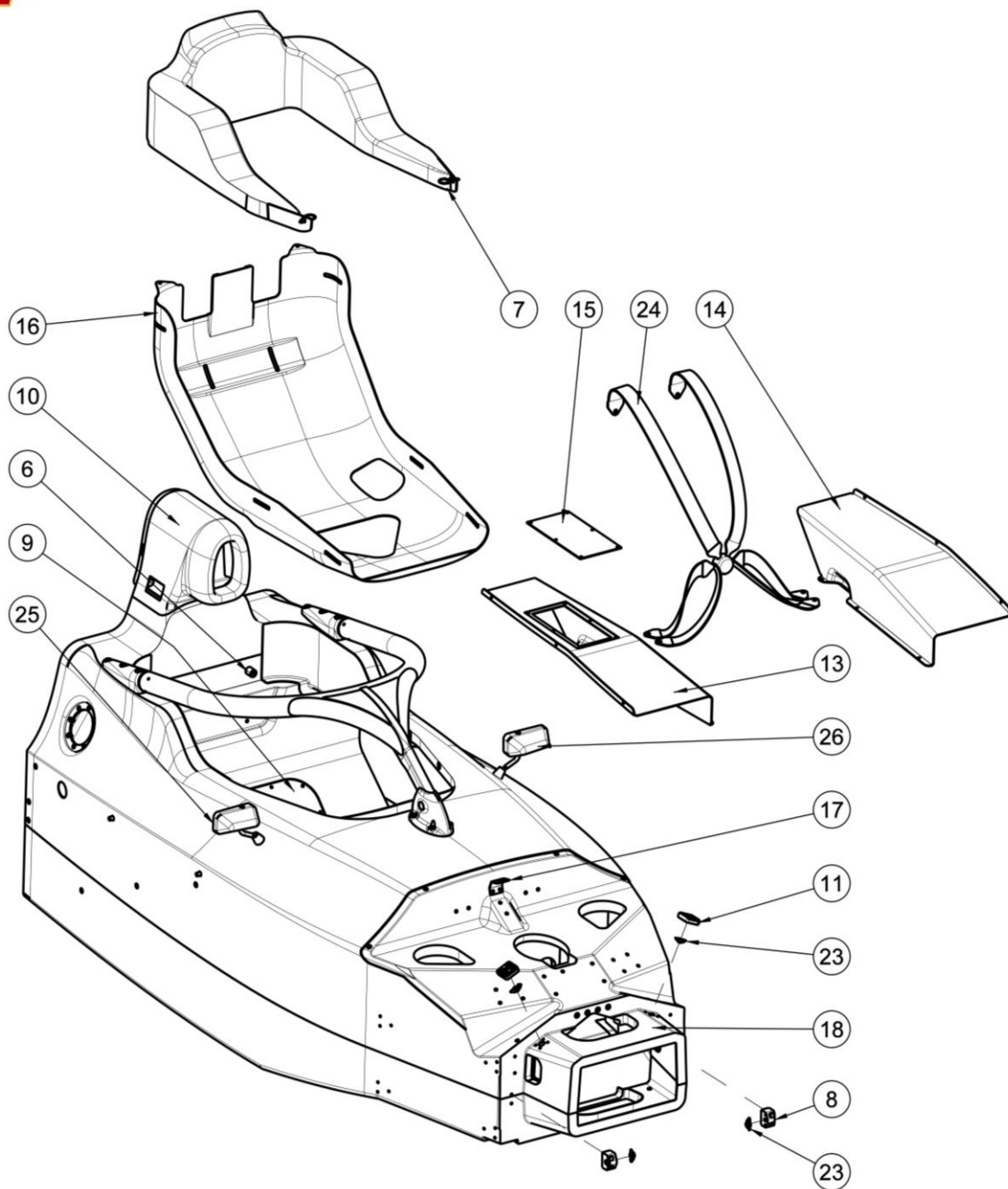
Email: info@avelonformula.com

Rev.	Date	Changes description
v00 v01	28/12/2020	First emission





MISTRAL Circuit - CHASSIS Exploded view

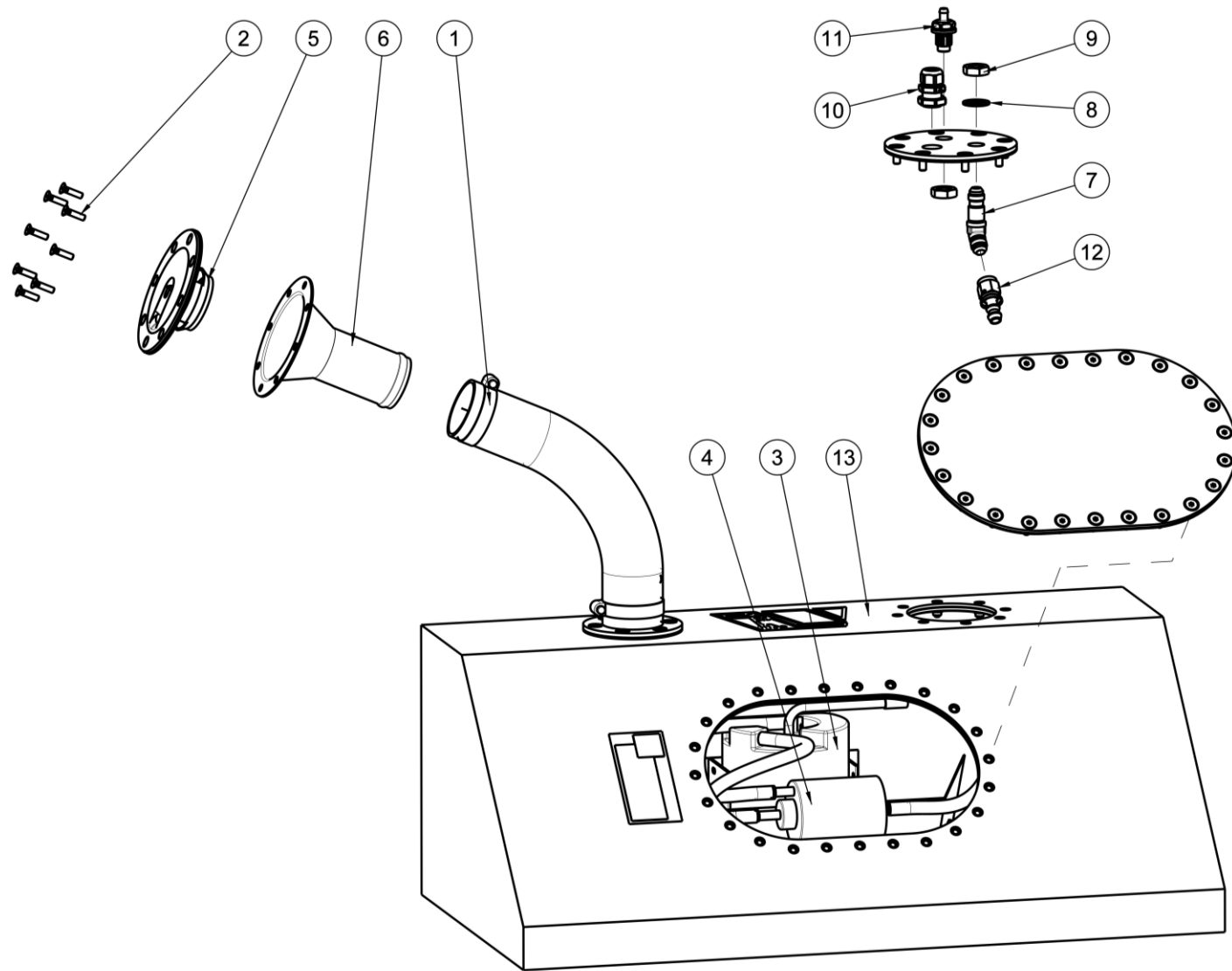


Pos.	Part no.	Description	Q.ty	€	Pos.	Part no.	Description	Q.ty	€
1	UNI5931_M10X25	BOLT UNI 5931 M10X25	4						
2	UNI5931_M12X35	BOLT UNI 5931 M12X35	6						
3	UNI5931_M12X50	BOLT UNI 5931 M12X50	2						
4	UNI5931_M5X25	BOLT UNI 5931 M5X25	2						
5	UNI7379_M12X50	BOLT UNI 7379 M12X50	2						
6	WF01-BW-A20	CENTERING PIN	2						
7	WF01-BW-D01	DRIVER PADDING GB08-MJ	1						
8	WF01-CH-A04	NOSE BRACKET	2						
9	WF01-CH-A10	FUEL TANK COCKPIT COVER	1						
10	WF01-CH-B03	REAR ROLL HOOP GB08-MJ	1						
11	WF01-CH-B04	UPPER NOSE BRACKET	2						
12	WF01-CH-B06	WINDSHIELD GB08-MJ	1						
13	WF01-CH-B10	EXTINGUISHER COVER	1						
14	WF01-CH-B11	WIRING COVER	1						
15	WF01-CH-B12	EXTINGUISHER GLASS	1						
16	WF01-CH-B24	EXTRACTABLE SEAT GB08-F1	1						
17	WF01-CH-C07	RADIO ANTENNA BRACKET	1						
18	WF01-CH-D00	CHASSIS GB08-20	1						
19	WF01-CH-D01	HALO BRACKET GB08-20	1						
20	WF01-CH-D03	HALO PLUG GB08-20	1						
21	WF01-CH-D04	HALO 2020	1						
22	WF01-CH-E03	FUEL TANK ENGINE COVER GB08-18	1						
23	WF01-CO-A05	M8 FLOATING NUT ANCHOR	4						
24	WF01-CO-A61-A	SEAT BELTS	1						
25	WF01-CO-C54D	RH MIRROR WITH ADJUSTABLE LEG	1						
26	WF01-CO-C54S	LH MIRROR WITH ADJUSTABLE LEG	1						





MISTRAL Circuit - FUEL SYSTEM (Track 40L) Exploded view

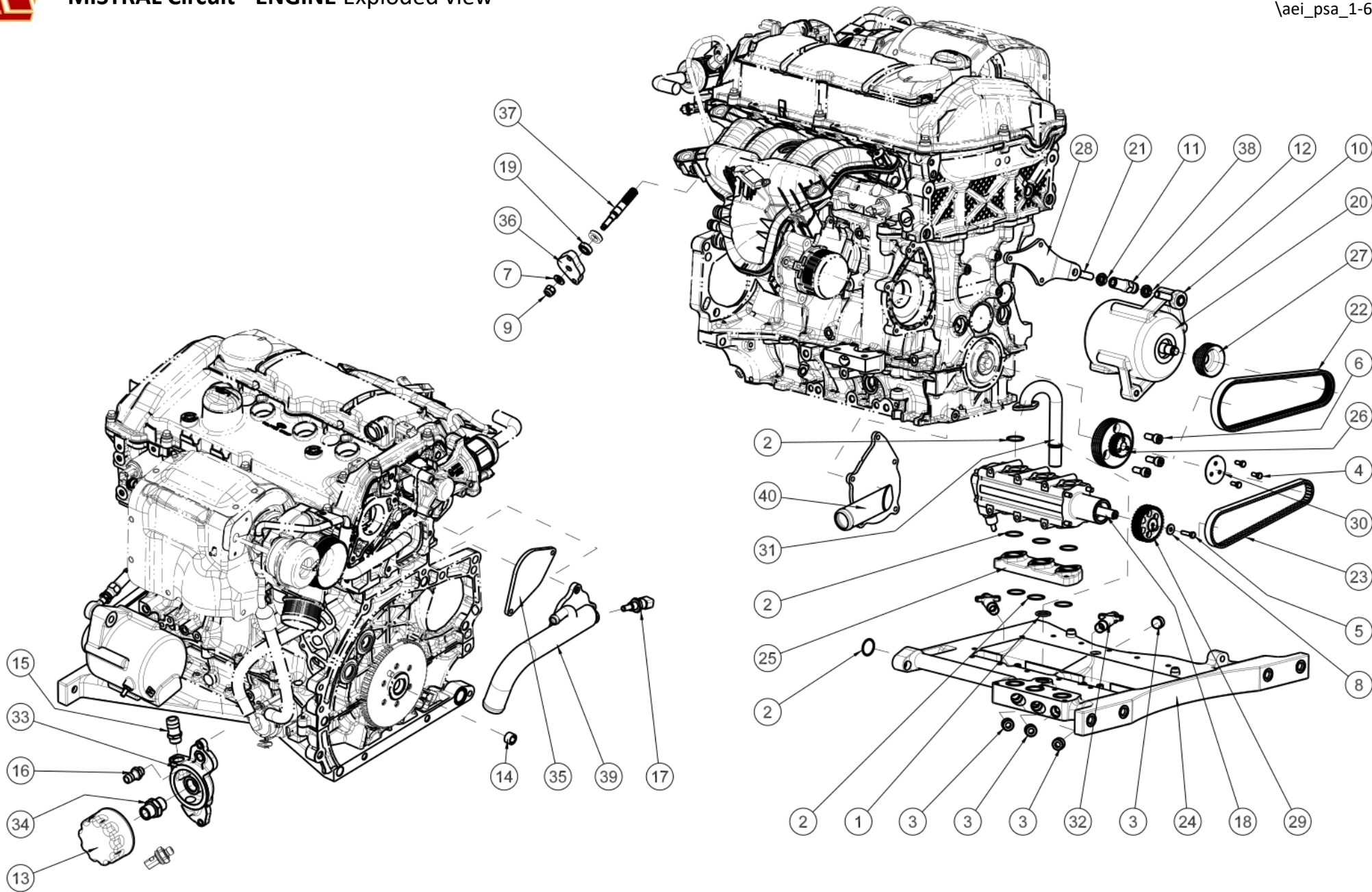


Pos.	Part no.	Description	Q.ty	€	Pos.	Part no.	Description	Q.ty	€
1	FASC_12_45-65	HOSE CLAMP 12 D45-65	2						
2	UNI5933_M5X20_8-8	BOLT UNI 5933 M5X20	8						
3	WF01-CO-C23	FUEL PUMP WITH RESERVOIR	1						
4	WF01-CO-C24	FUEL FILTER WITH REGULATOR	1						
5	WF01-CO-C25	2" FLUSH CAP WITH KEY	1						
6	WF01-CO-C26	FUNNEL FOR FUEL TANK	1						
7	WF01-CO-C61	BULKHEAD FITTING 45° 9/16"-18	1						
8	WF01-CO-C62	BONDED WASHER 9/16"	1						
9	WF01-CO-C63	NUT 9/16"-18	2						
10	WF01-CO-C64	CABLE GLAND 2 WIRE M16X1,5	1						
11	WF01-CO-C65	TANK VENT VALVE 9/16"-18	1						
12	WF01-CO-C71	STRAIGHT FITTING 9/16"-18 FEMALE	1						
13	WF01-FS-B02-A	40L FUEL CELL ASSY GB08-18	1						





MISTRAL Circuit - ENGINE Exploded view

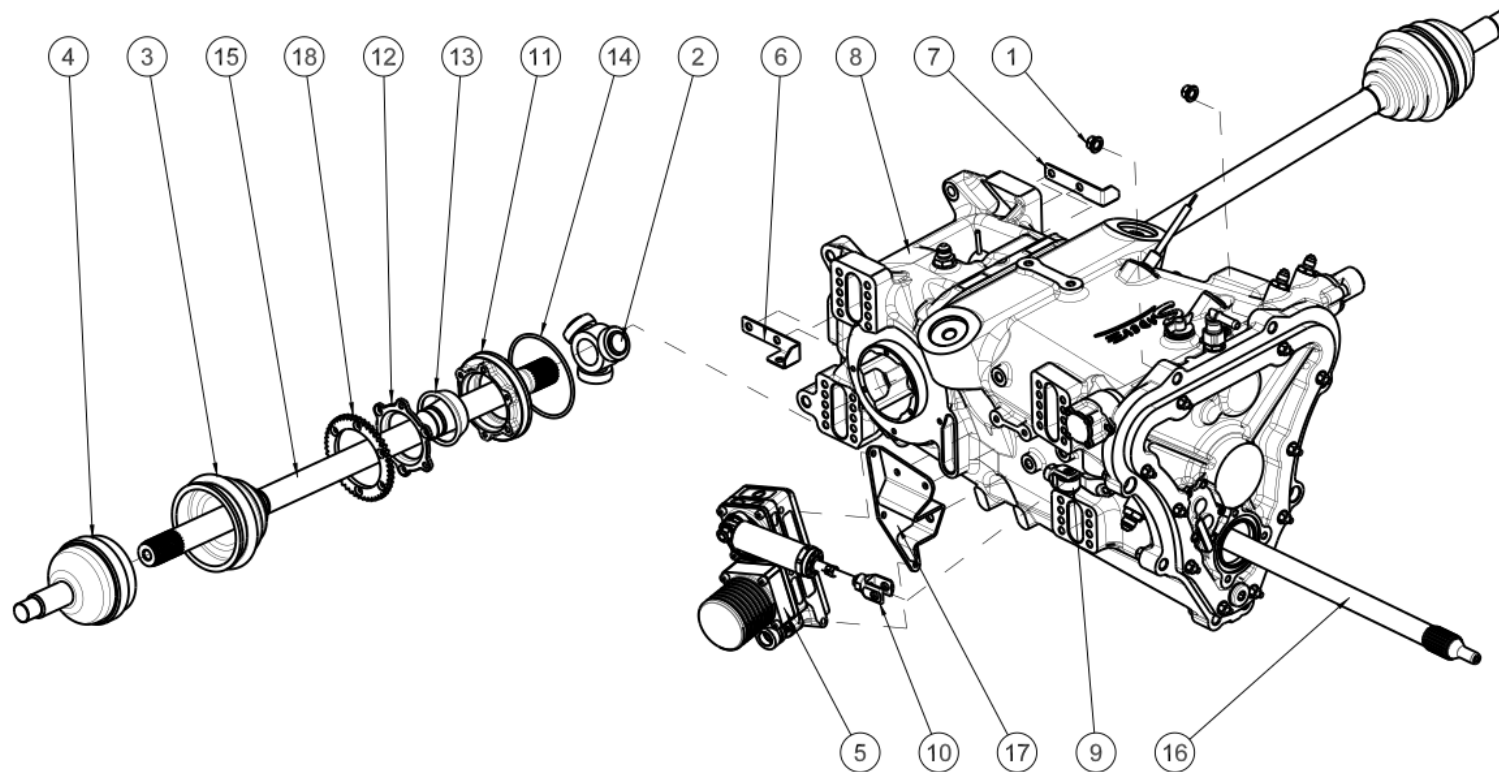


Pos.	Part no.	Description	Q.ty	€	Pos.	Part no.	Description	Q.ty	€
1	OR123	ORING D17,86 C2,62	1		36	WF01-EI-B54	VALVETRONIC FLANGE WPT	1	
2	OR2087	ORING D21,95 C1,78	8		37	WF01-EI-B55	VALVETRONIC WORM SCREW WPT	1	
3	TAPPO_DIN906_3-8	TAPER PLUG G3/8"	4		38	WF01-SC-B14	FRONT ARB DROP LINK	1	
4	UNI5739_M5X12_8-8	BOLT UNI 5739 M5X12	3		39	WF01-WS-B15	WATER OUTLET FLANGE WPT	1	
5	UNI5739_M5X20_8-8	BOLT UNI 5739 M5X20	1		40	WF01-WS-B16	WATER INLET WPT	1	
6	UNI5931_M8X20	BOLT UNI 5931 M8X20	3						
7	UNI6592_D8	WASHER UNI 6592 8,4X17	1						
8	UNI6593_D5	WASHER UNI 6593 5,5X15	1						
9	UNI7473_M8_8-8	AUTO LOCK NUT UNI 7473 M8	1						
10	WF01-CO-A10	UNIBALL D10 M10-M-LH	1						
11	WF01-CO-A25	NUT M10X1,5	1						
12	WF01-CO-A26	NUT M10X1,5-LH	1						
13	WF01-CO-A67	OIL FILTER	1						
14	WF01-CO-B23	NEEDLE ROLLER BEARING 12X16	1						
15	WF01-CO-B25	HOSE TAIL D17 G3/8	1						
16	WF01-CO-B26	HOSE TAIL D12 G1/4	1						
17	WF01-CO-B31	TEMPERATURE SENSOR M12X1,5	1						
18	WF01-CO-B32	OIL PUMP 3 STAGES	1						
19	WF01-CO-B33	BALL BEARING 9X20X6	1						
20	WF01-CO-B34	ALTERNATOR 12V 60A	1						
21	WF01-CO-B66	UNIBALL D10 M10-M-RH	1						
22	WF01-CO-C00	BELT POLY-V 4 L560	1						
23	WF01-CO-C01	TIMING BELT GT3 L490	1						
24	WF01-EI-B40	DRY SUMP PAN WPT	1						
25	WF01-EI-B41	OIL PUMP SUCTION MANIFOLD WPT	1						
26	WF01-EI-B42	ENGINE TIMING PULLEY WPT	1						
27	WF01-EI-B43	ALTERNATOR TIMING PULLEY WPT	1						
28	WF01-EI-B44	ALTERNATOR BRACKET	1						
29	WF01-EI-B45	OIL PUMP TIMING PULLEY WPT	1						
30	WF01-EI-B46	ENGINE TIMING PULLEY FLANGE WPT	1						
31	WF01-EI-B47	OIL PUMP DELIVERY PIPE WPT	1						
32	WF01-EI-B48	DRY SUMP PAN SUCTION FILTER WPT	2						
33	WF01-EI-B50	OIL FILTER MANIFOLD WPT	1						
34	WF01-EI-B51	OIL FILTER NIPPLE WPT	1						
35	WF01-EI-B52	VACUUM PUMP COVER WPT	1						





MISTRAL Circuit - GEARBOX Exploded view

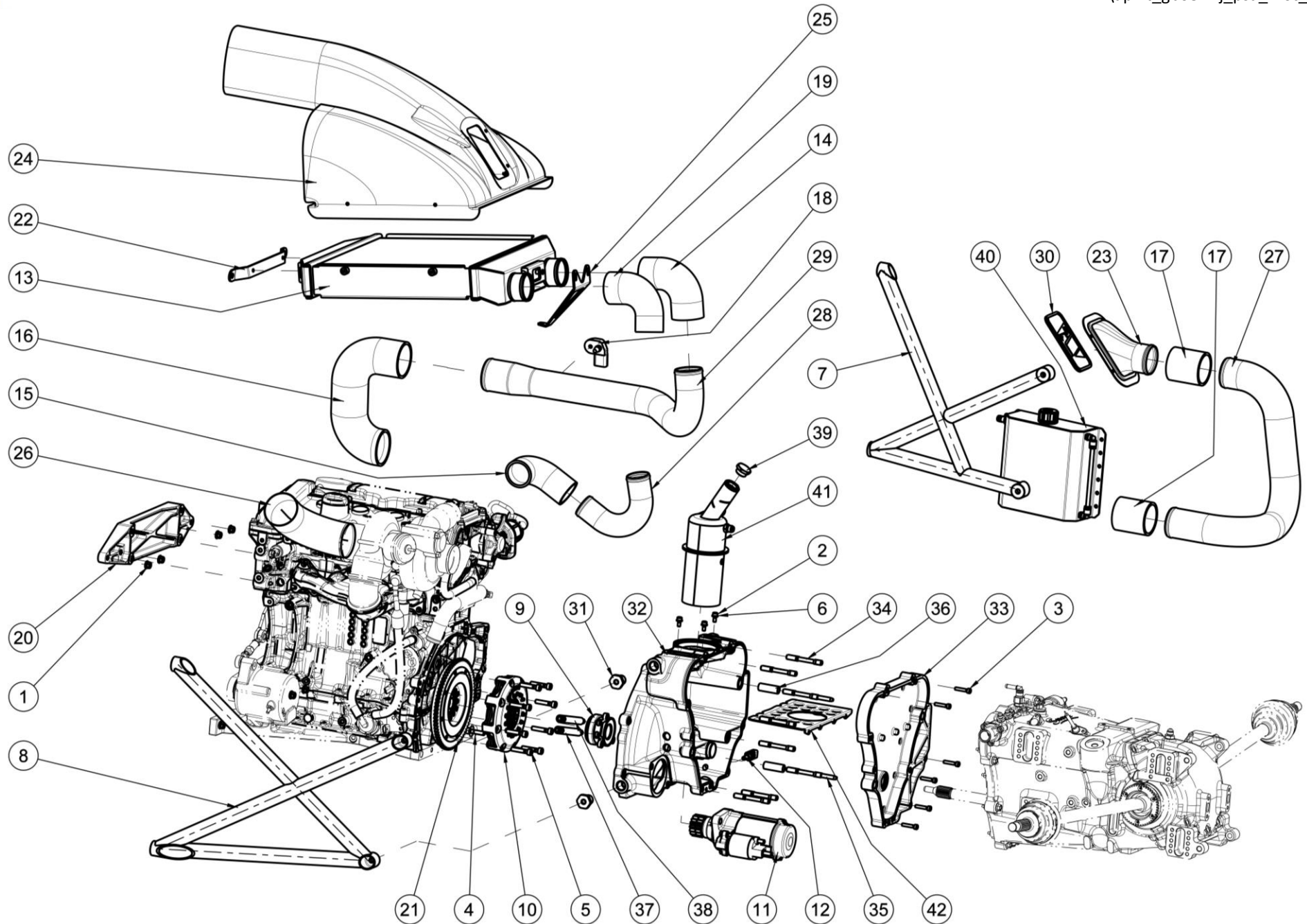


Pos.	Part no.	Description	Q.ty	€	Pos.	Part no.	Description	Q.ty	€
1	DADO_SPEC_M10	K-NUT M10	8						
2	WF01-CO-A56	TRIPOD JOINT	2						
3	WF01-CO-A57	CV BOOT	2						
4	WF01-CO-A59	CV JOINT	2						
5	WF01-CO-B87	ELECTRIC GEARSHIFT ACTUATOR	1						
6	WF01-GI-A18D	RH REAR SPEED SENSOR BRACKET	1						
7	WF01-GI-A18S	LH REAR SPEED SENSOR BRACKET	1						
8	WF01-GI-A24	GEARBOX 6M+R WITHOUT BELL	1						
9	WF01-GI-A24-02	LEVER	1						
10	WF01-GI-A24-03	LEVER FORK	1						
11	WF01-GI-A24-04	SIDE GEARBOX FLANGE	2						
12	WF01-GI-A24-05	INNER CV BOOT FLANGE	2						
13	WF01-GI-A24-06	INNER CV BOOT	2						
14	WF01-GI-A24-07	OR D86 C3	2						
15	WF01-GI-A40	DRIVESHAFT	2						
16	WF01-GI-B32	GEARBOX INPUT SHAFT WPT SADEV SLR82	1						
17	WF01-GI-B40	EGA SUPPORT	1						
18	WF01-SC-B56	REAR WHEEL SPEED TRIGGER 48 TEETH	2						





MISTRAL Circuit - POWERTRAIN (Wolf Power Engine) Exploded view

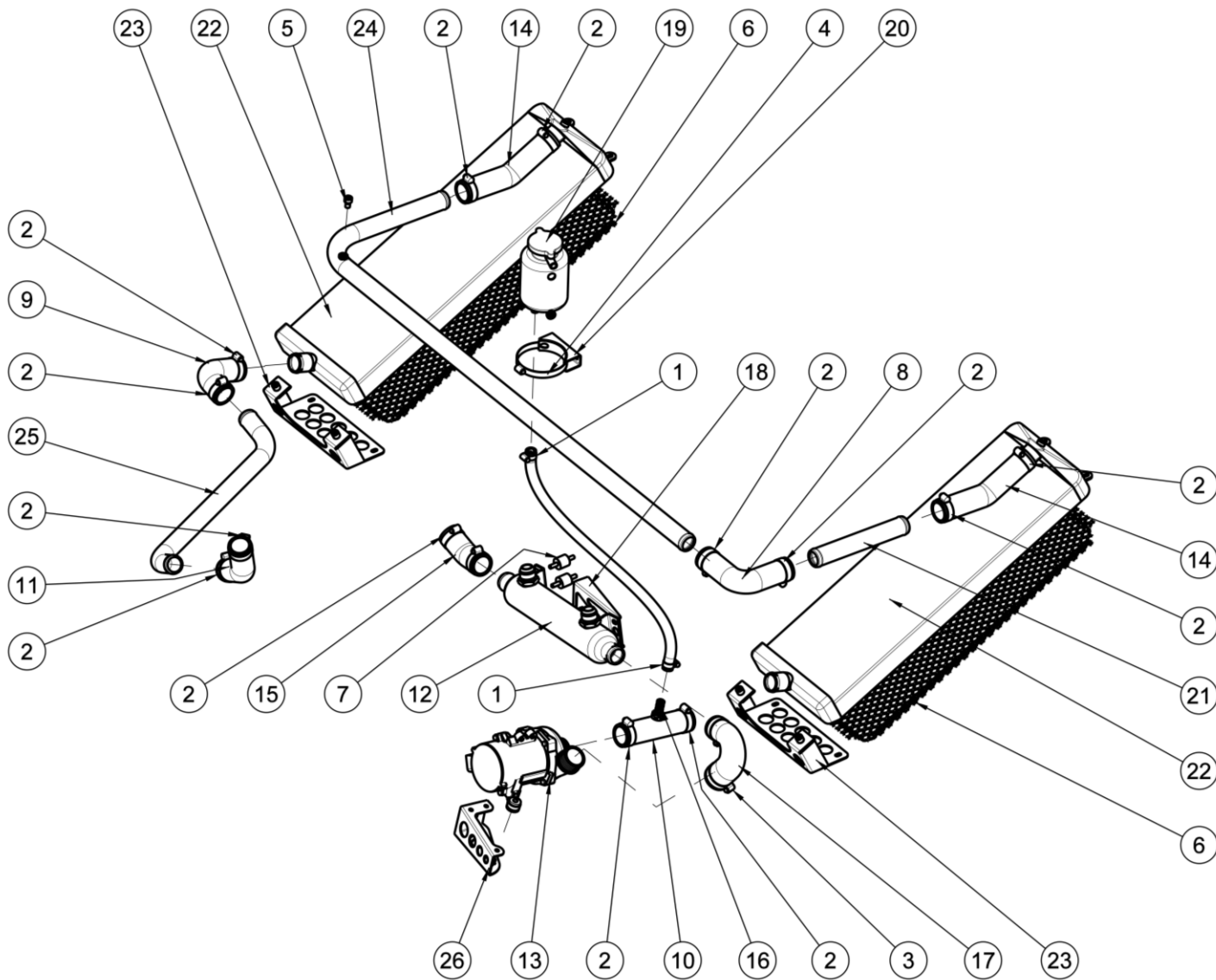


Pos.	Part no.	Description	Q.ty	€	Pos.	Part no.	Description	Q.ty	€
1	DADO_SPEC_M10	K-NUT M10	8		36	WF01-GI-B35	DOWEL D16 L45,5	2	
2	UNI5931_M6X14_8-8	BOLT UNI 5931 M6X14	3		37	WF01-GI-B36	CLUTCH FITTING	1	
3	UNI5931_M6X30_8-8	BOLT UNI 5931 M6X30	6		38	WF01-GI-B37	CLUTCH BLEED FITTING	1	
4	UNI5931_M8X35_8-8	BOLT UNI 5931 M8X35	1		39	WF01-OS-A08	CAP	1	
5	UNI5931_M8X40_12-9	BOLT UNI 5931 M8X40	8		40	WF01-OS-A20	CATCH TANK ASSY	1	
6	UNI6592_D6_8-8	WASHER UNI 6592 6,4X12,5	3		41	WF01-OS-B07	OIL DE-AREATOR	1	
7	WF01-CH-B35	REAR RH FRAME WPT GB08-MJ	1		42	WF01-OS-B09	OIL TANK BAFFLE	1	
8	WF01-CH-B36	REAR LH FRAME WPT GB08-MJ	1						
9	WF01-CO-B15	CLUTCH SLAVE CYLINDER C=12 D_BRG=50	1						
10	WF01-CO-B16	TWIN PLATE CLUTCH D140 1"-23T	1						
11	WF01-CO-B21	STARTER	1						
12	WF01-CO-B31	TEMPERATURE SENSOR M12X1,5	1						
13	WF01-CO-B35-A	INTERCOOLER	1						
14	WF01-CO-B36_CUT01	90° ELBOW HOSE D60	1						
15	WF01-CO-B38_CUT01	90° ELBOW HOSE D51	1						
16	WF01-CO-B40_CUT01	180° ELBOW HOSE D70	1						
17	WF01-CO-B41	STRAIGHT HOSE D63	2						
18	WF01-CO-B42	ABSOLUTE PRESSURE SENSOR	1						
19	WF01-CO-B92_CUT01	90° ELBOW REDUCER D60-D51	1						
20	WF01-EI-B39	ENGINE UPPER MOUNT WPT	1						
21	WF01-EI-B49	FLYWHEEL WPT	1						
22	WF01-EI-B56	INTERCOOLER FRONT MOUNT GB08-MJ	1						
23	WF01-EI-B59	AIR FILTER FITTING	1						
24	WF01-EI-B60	AIRSCOPE WPT GB08-MJ	1						
25	WF01-EI-B63	INTERCOOLER REAR MOUNT GB08-MJ	1						
26	WF01-EI-B65	EXHAUST WPT PLUS1 GB08-MJ	1						
27	WF01-EI-B69	AIR PIPE OUT FROM FILTER WPT PLUS1	1						
28	WF01-EI-B70-A	AIR PIPE OUT FROM TURBO WPT PLUS1	1						
29	WF01-EI-B71	AIR PIPE OUT FROM INTERCOOLER WPT	1						
30	WF01-EI-B83-A	AIR FILTER WPT	1						
31	WF01-GI-A27	FRAME THREADED BUSHING	4						
32	WF01-GI-B30-A	BELLHOUSING WITH OIL TANK WPT SADEV SLR82	1						
33	WF01-GI-B31-A	BELLHOUSING COVER WITH OIL TANK WPT SADEV SLR8	1						
34	WF01-GI-B33	STUD FOR BELLHOUSING AND GEARBOX	6						
35	WF01-GI-B34	LONG STUD FOR BELLHOUSING AND GEARBOX	2						





MISTRAL Circuit - WATER SYSTEM Exploded view

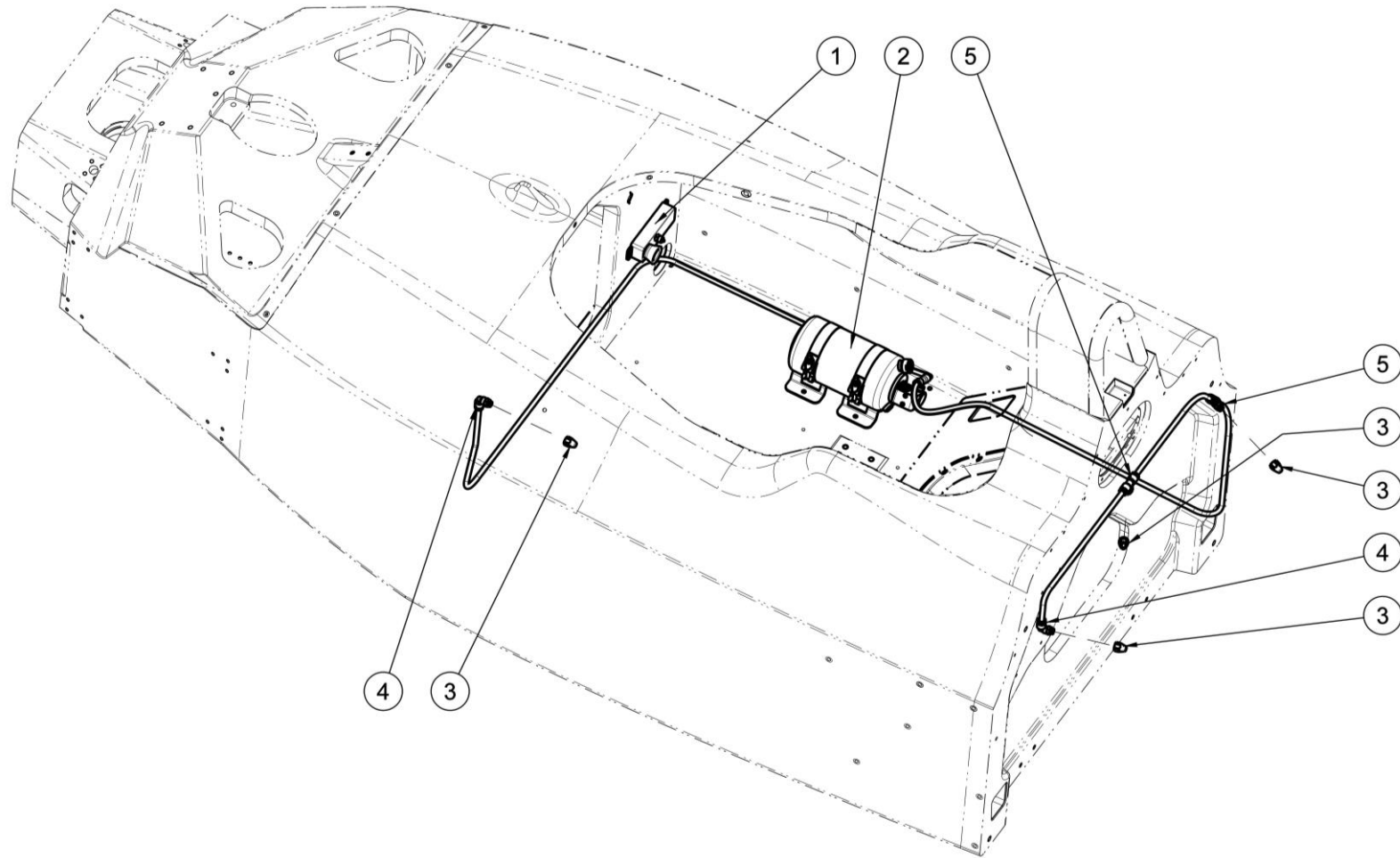


Pos.	Part no.	Description	Q.ty	€	Pos.	Part no.	Description	Q.ty	€
1	FASC_9_12-22	HOSE CLAMP 9 D12-22	2						
2	FASC_12_30-45	HOSE CLAMP 12 D30-45	15						
3	FASC_12_30-45	HOSE CLAMP 12 D30-45	1						
4	FASC_12_80-90	HOSE CLAMP 12 D80-90	1						
5	UNI5931_M8X12_8-8	BOLT UNI 5931 M8X12	1						
6	WF01-BW-E17	RADIATOR MESH GB08-18	2						
7	WF01-CO-A62	SILENTBLOCK D20X20 M6 M-M	2						
8	WF01-CO-B45	90° ELBOW HOSE D32	1						
9	WF01-CO-B45_CUT01	90° ELBOW HOSE D32	1						
10	WF01-CO-B46_L150	STRAIGHT HOSE D32 L150	1						
11	WF01-CO-B48_CUT02	45° ELBOW HOSE D32	1						
12	WF01-CO-B58	WATER-OIL EXCHANGER	1						
13	WF01-CO-B86	ELECTRIC WATER PUMP	1						
14	WF01-CO-C94	30° ELBOW HOSE D32	2						
15	WF01-CO-C94_CUT01	30° ELBOW HOSE D32	1						
16	WF01-CO-C95	HOSE ADAPTER D13	1						
17	WF01-CO-C98_CUT01	135° ELBOW REDUCER D38-D32	1						
18	WF01-OS-A04	WATER-OIL EXCHANGER BRACKET GB08-20	1						
19	WF01-WS-A02	WATER SWIRL POT	1						
20	WF01-WS-A05	WATER SWIRL POT BRACKET	1						
21	WF01-WS-A27	STRAIGHT WATER PIPE L200	1						
22	WF01-WS-B00	RH-LH WATER RADIATOR GB08-MJ	2						
23	WF01-WS-B01	WATER RADIATOR BRACKET GB08-MJ	2						
24	WF01-WS-B25	CROSS OVER WATER PIPE GB08-20	1						
25	WF01-WS-C03	WATER PIPE OUT FROM WPT ENGINE GB08-16	1						
26	WF01-WS-C04	WATER PUMP BRACKET	1						



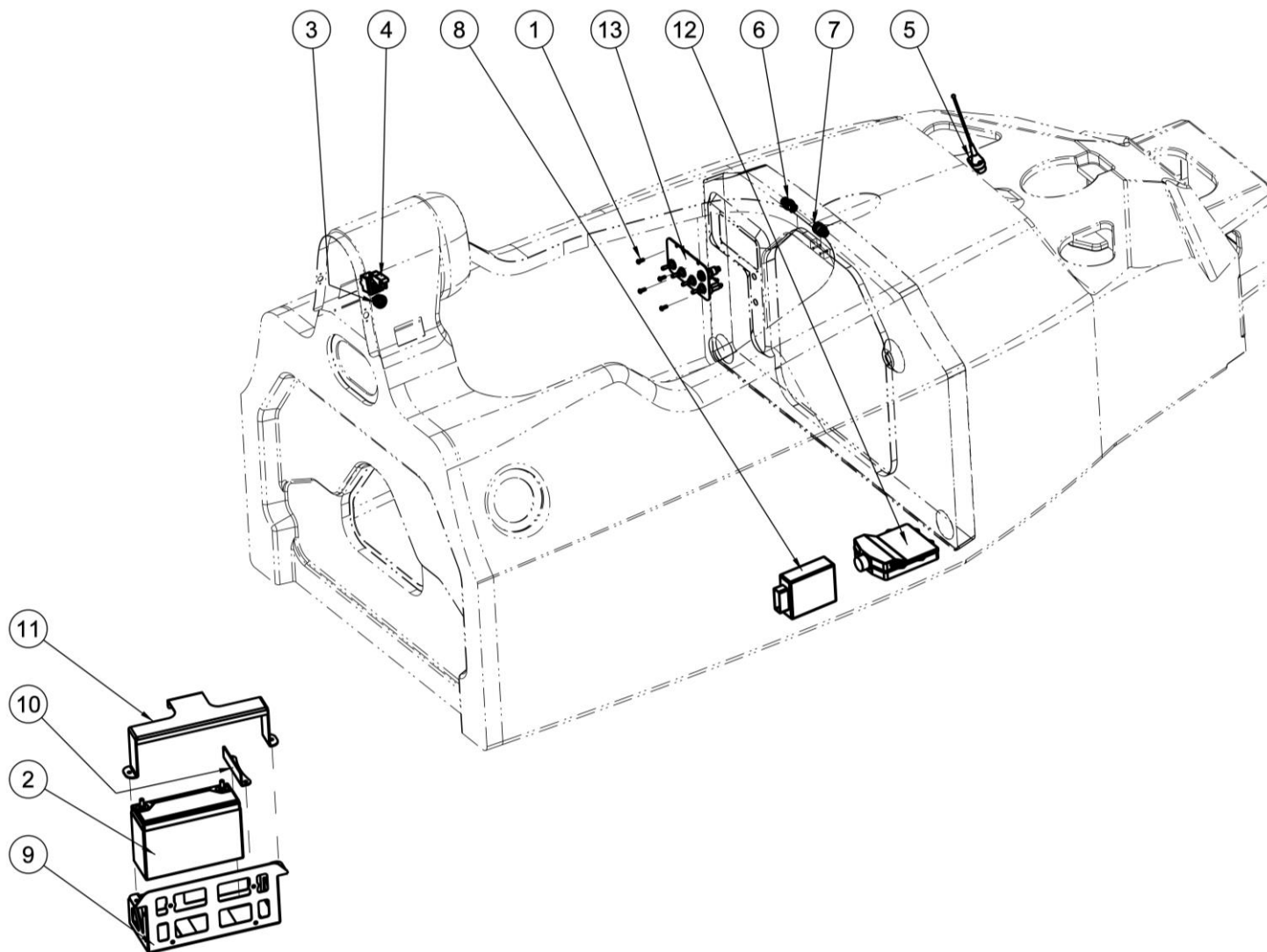


MISTRAL Circuit - EXTINGUISHER SYSTEM Exploded view



Pos.	Part no.	Description	Q.ty	€	Pos.	Part no.	Description	Q.ty	€
1	WF01-CO-A64	EXTINGUISHER CONTROL BOX	1						
2	WF01-CO-A85	EXTINGUISHER 1,5KG WITH BRACKET	1						
3	WF01-CO-C02	EXTINGUISHER NOZZLE	4						
4	WF01-CO-C03	90° FITTING D8 G1/8	2						
5	WF01-CO-C04	T FITTING D8 G1/8	2						



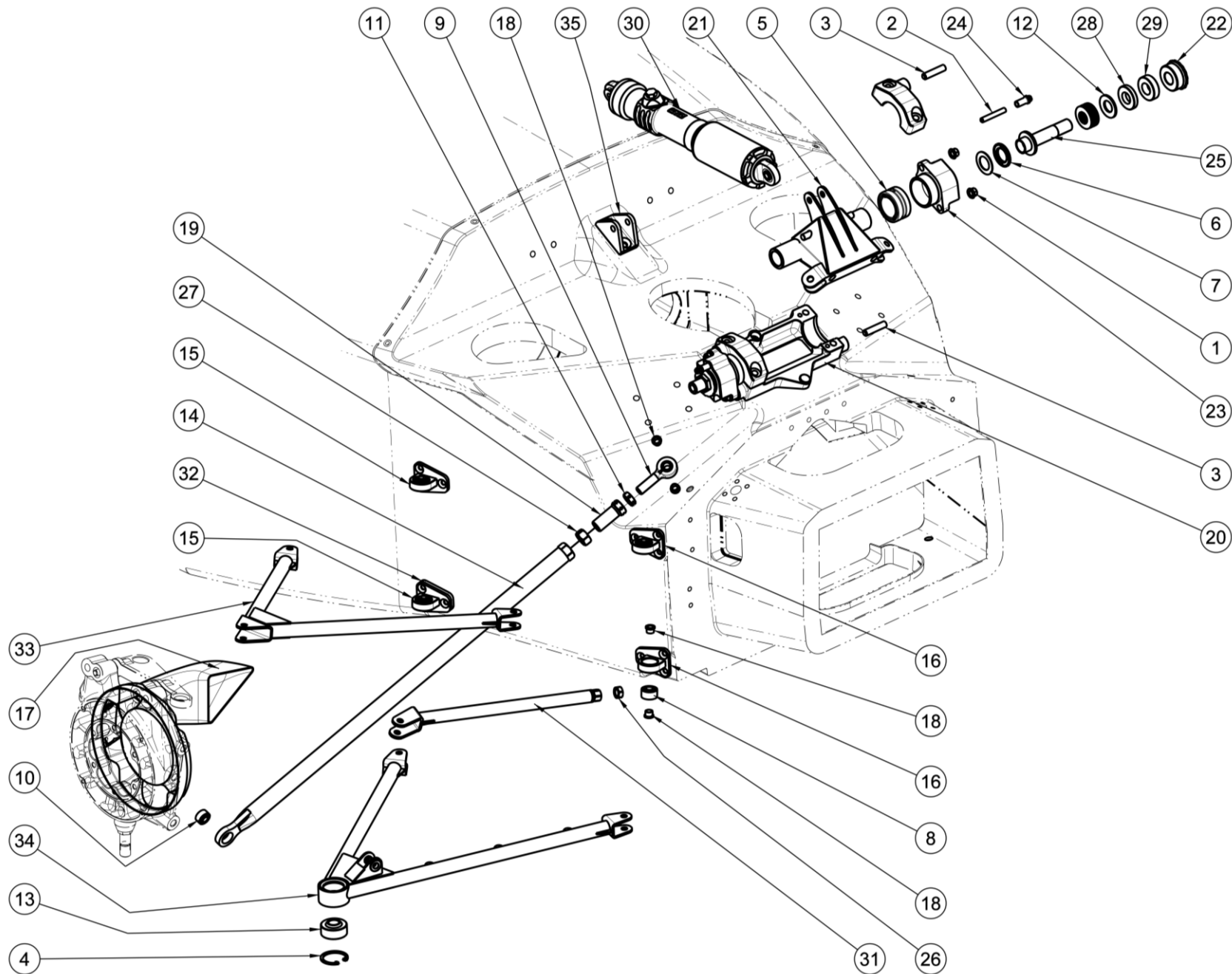


Pos.	Part no.	Description	Q.ty	€	Pos.	Part no.	Description	Q.ty	€
1	ISO7380_M4X12_8-8	BOLT UNI ISO 7380 M4X12	4						
2	WF01-CO-A60	BATTERY	1						
3	WF01-CO-A92	PUSH BUTTON SWITCH WITH PROTECTION	1						
4	WF01-CO-B57	TOGGLE SWITCH DOUBLE CONTACTS	1						
5	WF01-CO-B62	RADIO ANTENNA	1						
6	WF01-CO-B63	FLANGE SOCKET CONNECTOR 13 PIN	1						
7	WF01-CO-B64	PLUG CONNECTOR 13 PIN	1						
8	WF01-CO-B81	POWER BOX	1						
9	WF01-EI-A03-A	BATTERY BOX	1						
10	WF01-EI-A03-B	SIDE BATTERY BRACKET	1						
11	WF01-EI-A03-C	TOP BATTERY BRACKET SMALL	1						
	WF01-EI-A03-D	TOP BATTERY BRACKET BIG	1						
12	WF01-EL-A00	ENGINE CONTROL UNIT	1						
13	WF01-EL-A23	SWITCH SUPPORT ASSY 2015	1						





MISTRAL Circuit - FRONT SUSPENSION Exploded view

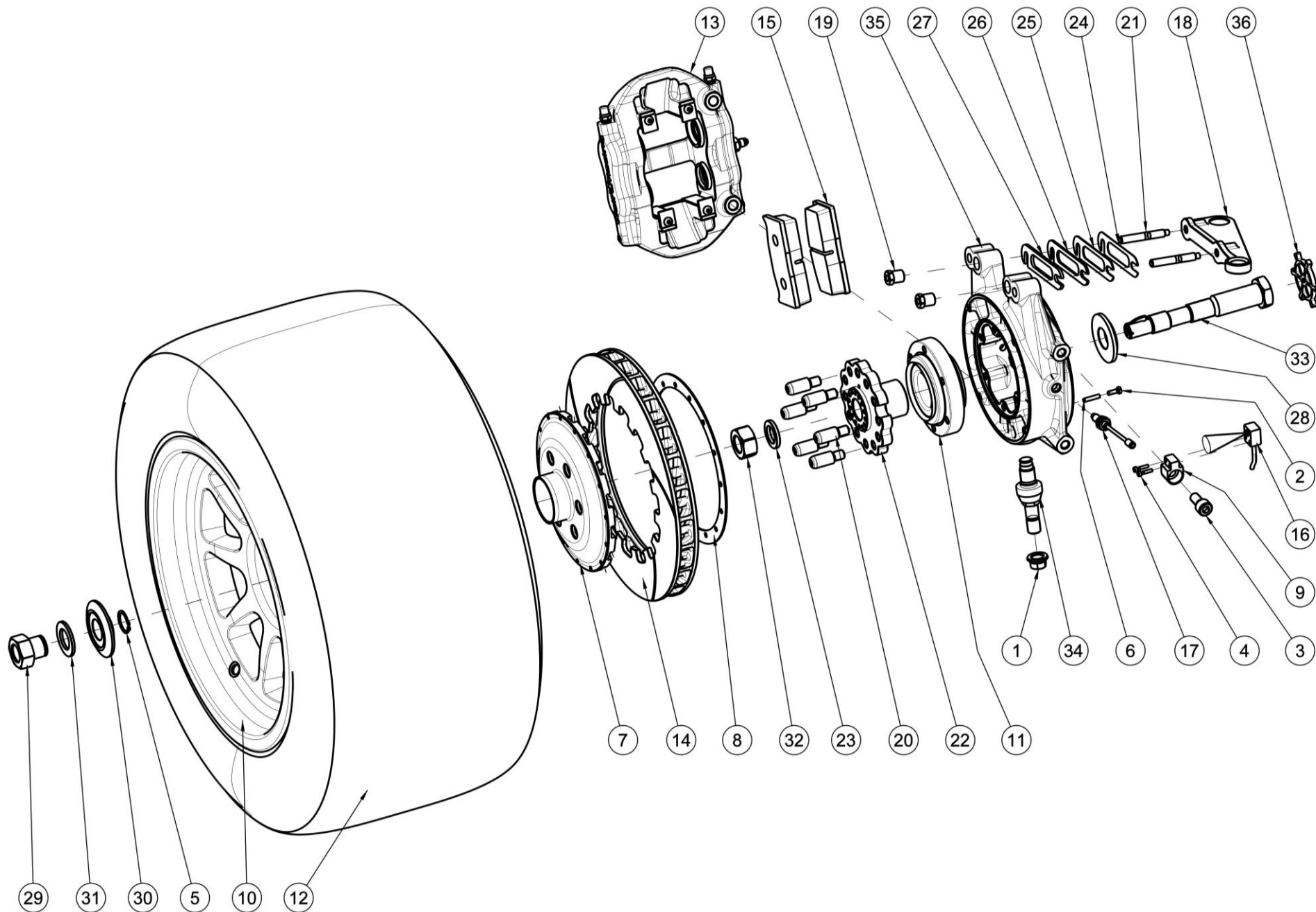


Pos.	Part no.	Description	Q.ty	€	Pos.	Part no.	Description	Q.ty	€
1	DADO_SPEC_M8	K-NUT M8	4		34S	WF01-SC-E01S	FRONT LOWER LH WISHBONE GB08-18	1	
2	UNI5923_M6X40	GRUB SCREW UNI5923 M6X40	2		35	WF01-SC-E07	FRONT DAMPER BRACKET	1	
3	UNI5923_M8X35	GRUB SCREW UNI5923 M8X35	4						
4	UNI7437_D34	BORE RETAINING RING UNI7437 D34	2						
5	WF01-CO-A11	NEEDLE ROLLER BEARING 28X42X20	2						
6	WF01-CO-A13	AXIAL NEEDLE ROLLER 19X32	2						
7	WF01-CO-A14	WASHER FOR NEEDLE ROLLER 19X31,5X0,8	2						
8	WF01-CO-A22	UNIBALL D3/8" WIDE	8						
9	WF01-CO-A23	UNIBALL D3/8" 7/16"-M-LH	2						
10	WF01-CO-A24	UNIBALL D5/16" WIDE	2						
11	WF01-CO-A28	NUT 7/16"-20-LH	2						
12	WF01-CO-A36	BELLEVILLE SPRING D31,5							
13	WF01-CO-B98	UNIBALL D14 D34	2						
14	WF01-SC-A06	FRONT MONO PUSHROD	2						
15	WF01-SC-A15D	FRONT UPPER RH WISHBONE BRACKET	4						
16	WF01-SC-A15S	FRONT UPPER LH WISHBONE BRACKET	4						
17D	WF01-SC-A23D	BRAKE DUCT FRONT RH	1						
17S	WF01-SC-A23S	BRAKE DUCT FRONT LH	1						
18	WF01-SC-A25	BUSH 8X3/8"	20						
19	WF01-SC-A40	PUSHROD ADJUSTER	2						
20	WF01-SC-A50	MONO DAMPER SUPPORT ASSY	1						
21	WF01-SC-A51	MONO ROCKER	1						
22	WF01-SC-A52	ANTI-ROLL SPRING ADJUSTER	2						
23	WF01-SC-A53	ANTI-ROLL SPRING HOUSING	2						
24	WF01-SC-A54	ANTI-ROLL SPRING NUT	2						
25	WF01-SC-A55	ANTI-ROLL SPRING ROD	2						
26	WF01-SC-A61	RH NUT M10X1	2						
27	WF01-SC-A67	PUSHROD ADJUSTER NUT	2						
28	WF01-SC-A80-A	BELLEVILLE SPRING SPACER 6	2						
29	WF01-SC-A80-B	BELLEVILLE SPRING SPACER 9	2						
30	WF01-SC-B38-A	FRONT DAMPER	1						
31	WF01-SC-C04	FRONT TOE ROD GB08-16	2						
32	WF01-SC-C05-A	CASTER SHIM 5	1						
33	WF01-SC-E00	FRONT UPPER WISHBONE GB08-18	2						
34D	WF01-SC-E01D	FRONT LOWER RH WISHBONE GB08-18	1						





MISTRAL Circuit - FRONT HUB Exploded view

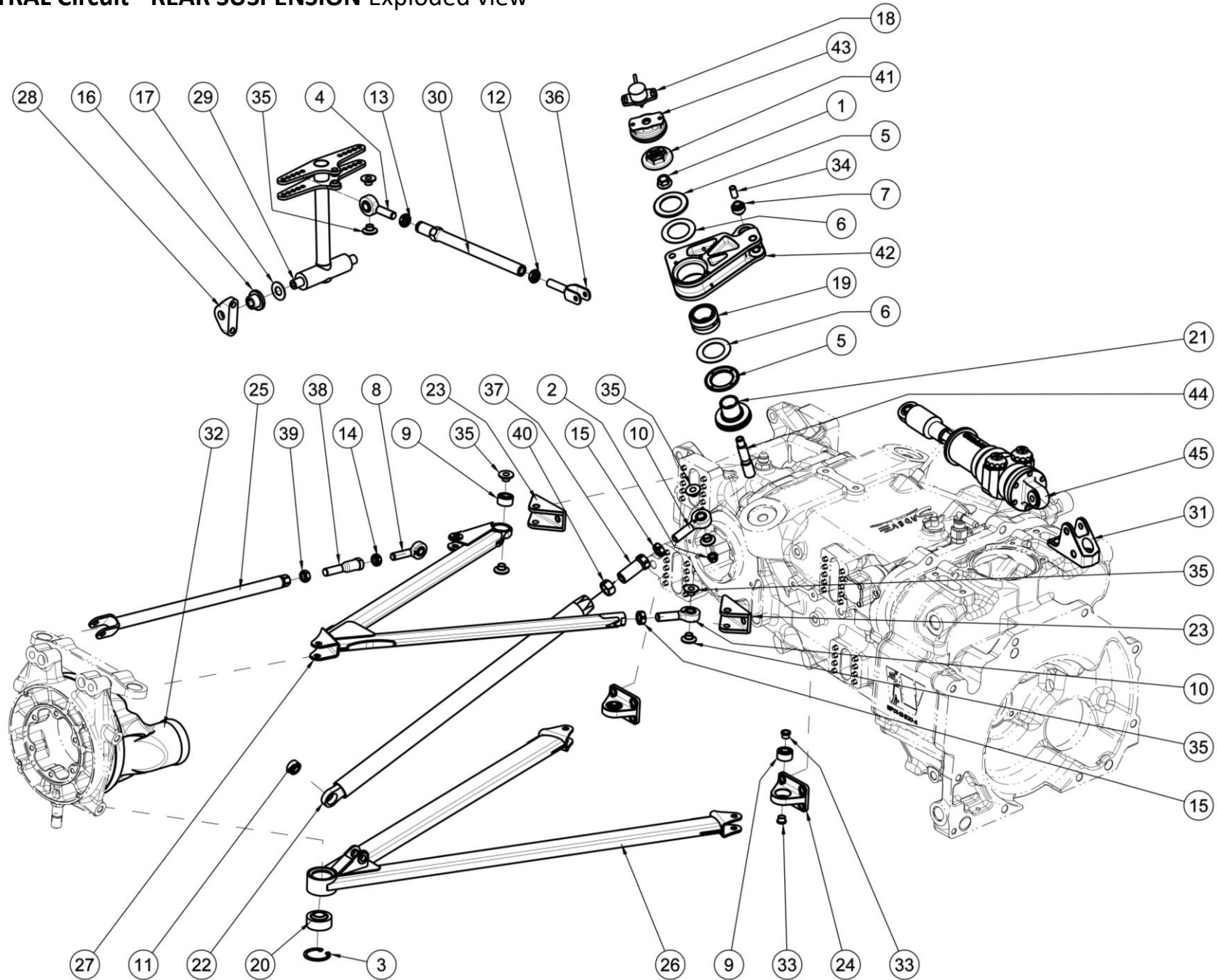


Pos.	Part no.	Description	Q.ty	€	Pos.	Part no.	Description	Q.ty	€
1	DADO_SPEC_M14X1-5	K-NUT M14X1,5	2		30S	WF01-SC-A91S	WHEEL NUT INNER BUSH GREEN	1	
2	UNI5739_M4X12_8-8	BOLT UNI 5739 M4X12	2		31	WF01-SC-A92	WHEEL NUT OUTER BUSH	2	
3	UNI5931_M10X20_8-8	BOLT UNI 5931 M10X20	2		32D	WF01-SC-A93	RH WHEEL STUD NUT	1	
4	UNI5931_M3X14_8-8	BOLT UNI 5931 M3X14	4		32S	WF01-SC-A94	LH WHEEL STUD NUT	1	
5	UNI7435_D22	SHAFT LOCK RING UNI7435 D22	2		33D	WF01-SC-A98	RH FRONT WHEEL STUD	1	
6	UNIEN28734_4X20	DOWEL UNI EN 28734 4M6X20	2		33S	WF01-SC-A97	LH FRONT WHEEL STUD	1	
7	WF01-BS-A15	BRAKE DISC BELL 15 TEETH	2		34	WF01-SC-B40	UPRIGHT STUD B	2	
8	WF01-BS-A16	BRAKE DISC FIXING FLANGE 15 TEETH	2		35	WF01-SC-B52	ENDURANCE UPRIGHT	2	
9	WF01-BS-A26	IR BRAKE SENSOR BRACKET	2		36	WF01-SC-B53	FRONT WHEEL SPEED TRIGGER 6 TEETH	2	
10	WF01-CO-A41-A	RIM 9 SPOKES 10"X13"	2						
	WF01-CO-A82	RIM 9 SPOKES 11"X13"							
11	WF01-CO-A43	WHEEL BEARING	2						
12	WF01-CO-B72	MICHELIN TYRE 24/57-13	2						
	WF01-CO-B75	PIRELLI TYRE 25/57,5-13							
13D	WF01-CO-C20D	ENDURANCE BRAKE CALIPER RH	1						
13S	WF01-CO-C20S	ENDURANCE BRAKE CALIPER LH	1						
14D	WF01-CO-C21S	ENDURANCE BRAKE DISC RH	1						
14S	WF01-CO-C21D	ENDURANCE BRAKE DISC LH	1						
15	WF01-CO-C22	ENDURANCE BRAKE PAD	4						
16	WF01-CO-C67	IR TEMPERATURE SENSOR	2						
17	WF01-CO-C78	SPEED SENSOR	2						
18	WF01-SC-A107	ACKERMANN FRONT	2						
19	WF01-SC-A30	FRONT CAMBER NUT	4						
20	WF01-SC-A42	DRIVE PEG	12						
21	WF01-SC-A45	FRONT ACKERMANN STUD	4						
22	WF01-SC-A46	FRONT WHEEL HUB	2						
23	WF01-SC-A60	WHEEL STUD WASHER	2						
24	WF01-SC-A69-A	FRONT CAMBER SHIM 0,5							
25	WF01-SC-A69-B	FRONT CAMBER SHIM 1							
26	WF01-SC-A69-C	FRONT CAMBER SHIM 2							
27	WF01-SC-A69-D	FRONT CAMBER SHIM 3							
28	WF01-SC-A87	FRONT WHEEL STUD WASHER	2						
29D	WF01-SC-A88	RH WHEEL NUT	1						
29S	WF01-SC-A89	LH WHEEL NUT	1						
30D	WF01-SC-A91D	WHEEL NUT INNER BUSH RED	1						





MISTRAL Circuit - REAR SUSPENSION Exploded view

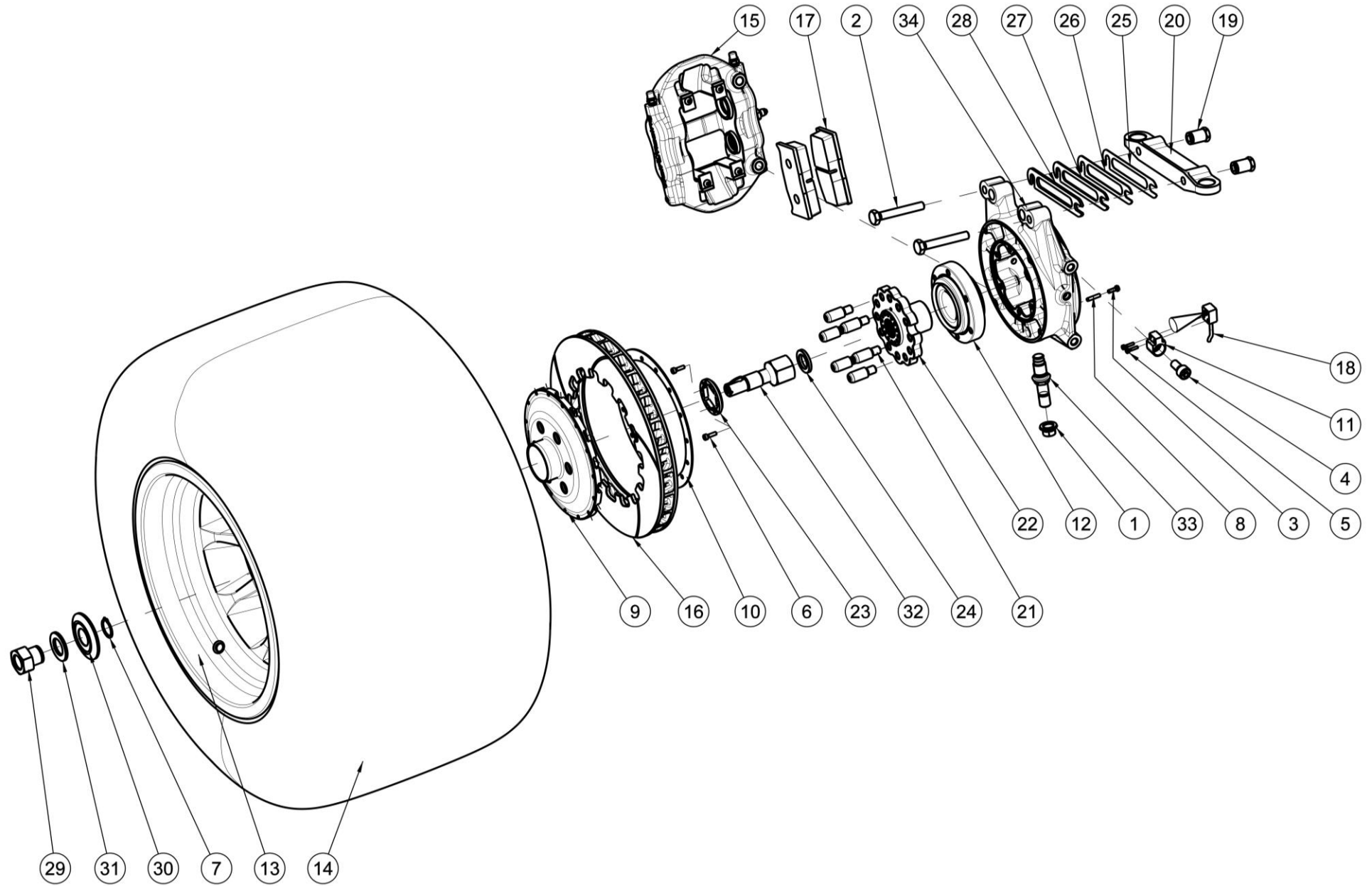


Pos.	Part no.	Description	Q.ty	€	Pos.	Part no.	Description	Q.ty	€
1	DADO_SPEC_M12	K-NUT M12	2		30	WF01-SC-A128	REAR ARB DROP LINK	2	
2	DADO_SPEC_M8	K-NUT M8	2		31	WF01-SC-A131	REAR DAMPER BRACKET	2	
3	UNI7437_D34	BORE LOCK RING UNI7437 D34	2		32D	WF01-SC-A23D	BRAKE DUCT FRONT RH	1	
4	WF01-CO-A10	UNIBALL D10 M10-M-SX	2		32S	WF01-SC-A23S	BRAKE DUCT FRONT LH	1	
5	WF01-CO-A17	AXIAL NEEDLE ROLLER 30X47	4		33	WF01-SC-A25	BUSH 8X3/8"	8	
6	WF01-CO-A18	WASHER FOR NEEDLE ROLLER 30X46,5X0,8	4		34	WF01-SC-A26-A	BUSH 6X5/16"	2	
7	WF01-CO-A19	UNIBALL D5/16" WITH SHOULDER	2		35	WF01-SC-A27	BUSH 8X3/8"	16	
8	WF01-CO-A21	UNIBALL D5/16" 3/8"-M-LH	2		36	WF01-SC-A38	DROP LINK FORK END	2	
9	WF01-CO-A22	UNIBALL D3/8" WIDE	6		37	WF01-SC-A40	PUSHROD ADJUSTER	2	
10	WF01-CO-A23	UNIBALL D3/8" 7/16"-M-LH	4		38	WF01-SC-A41	REAR TOE ROD ADJUSTER	2	
11	WF01-CO-A24	UNIBALL D5/16" WIDE	2		39	WF01-SC-A61	NUT M10X1	2	
12	WF01-CO-A25	NUT M10X1,5	2		40	WF01-SC-A67	PUSHROD ADJUSTER NUT	2	
13	WF01-CO-A26	NUT M10X1,5-LH	2		41	WF01-SC-B33	ROCKER NUT FOR ROTARY POTI	2	
14	WF01-CO-A27	NUT 3/8"-24-LH	2		42	WF01-SC-B35	ROCKER	2	
15	WF01-CO-A28	NUT 7/16"-20-LH	4		43	WF01-SC-B36	ROTARY POTI SUPPORT	2	
16	WF01-CO-B10	COMBINED BEARING 19X32 OPEN	2		44	WF01-SC-B37	ROKER STUD FOR ROTARY POTI	2	
17	WF01-CO-B11	WASHER FOR NEEDLE ROLLER 12X25,5X0,8	2		45	WF01-SC-B50-B	REAR DAMPER	2	
18	WF01-CO-B27	ROTARY POTI 100°	2						
19	WF01-CO-B95	NEEDLE ROLLER BEARING 25X38X20	2						
20	WF01-CO-B98	UNIBALL D14 D34	2						
21	WF01-GI-A14	ROCKER STUD	2						
22	WF01-SC-A07	REAR PUSHROD	2						
23	WF01-SC-A108	REAR UPPER WISHBONE BRACKET	4						
24	WF01-SC-A110	REAR LOWER WISHBONE BRACKET	4						
25	WF01-SC-A113	REAR TOE ROD	2						
26D	WF01-SC-A114D	REAR LOWER RH WISHBONE	1						
26S	WF01-SC-A114S	REAR LOWER LH WISHBONE	1						
27	WF01-SC-A115	REAR UPPER WISHBONE	2						
28	WF01-SC-A119	REAR ARB SUPPORT	2						
	WF01-SC-A121	REAR ARB D18							
	WF01-SC-A	REAR ARB D							
29	WF01-SC-A	REAR ARB D	1						
	WF01-SC-A	REAR ARB D							
	WF01-SC-A	REAR ARB D							
	WF01-SC-A	REAR ARB D							





MISTRAL Circuit - REAR HUB Exploded view

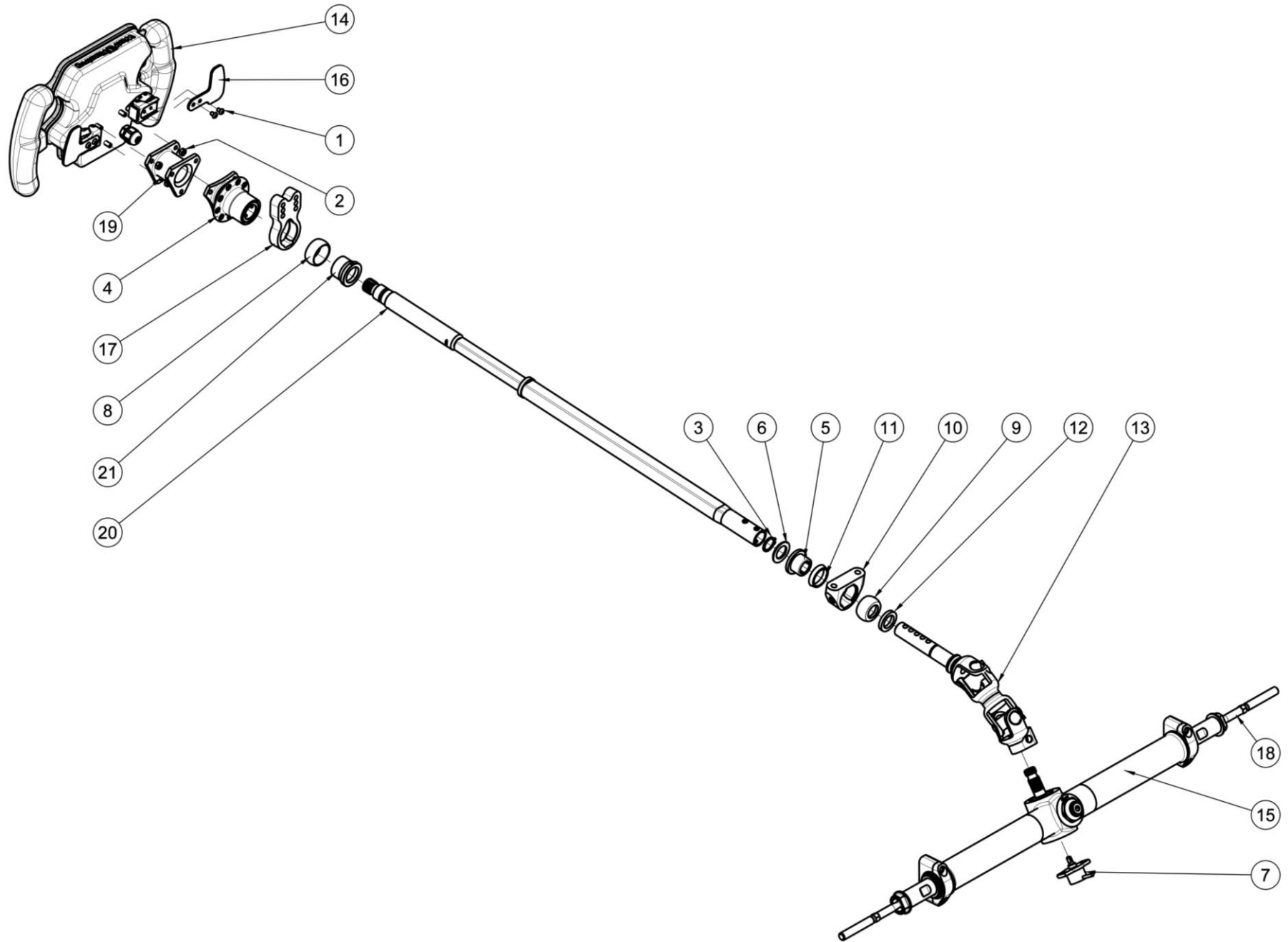


Pos.	Part no.	Description	Q.ty	€	Pos.	Part no.	Description	Q.ty	€
1	DADO_SPEC_M14X1-5	K-NUT M14X1,5	2		30S	WF01-SC-A91D	WHEEL NUT INNER BUSH RED	1	
2	UNI5739_M10X70_8-8	BOLT UNI 5739 M10X70	4		31D	WF01-SC-A91S	WHEEL NUT INNER BUSH GREEN	1	
3	UNI5739_M4X12_8-8	BOLT UNI 5739 M4X12	2		31S	WF01-SC-A92	WHEEL NUT OUTER BUSH	2	
4	UNI5931_M10X20_8-8	BOLT UNI 5931 M10X20	2		32	WF01-SC-A99	RH REAR WHEEL STUD	1	
5	UNI5931_M3X14_8-8	BOLT UNI 5931 M3X14	4		33D	WF01-SC-A100	LH REAR WHEEL STUD	1	
6	UNI5931_M4X14_8-8	BOLT UNI 5931 M4X14	4		33S	WF01-SC-B41	UPRIGHT STUD A	2	
7	UNI7435_D22	SHAFT LOCK RING UNI7435 D22	2		34	WF01-SC-B52	ENDURANCE UPRIGHT	2	
8	UNIEN28734_4X20	DOWEL UNI EN 28734 4M6X20	2						
9	WF01-BS-A15	BRAKE DISC BELL 15 TEETH	2						
10	WF01-BS-A16	BRAKE DISC FIXING FLANGE 15 TEETH	2						
11	WF01-BS-A26	IR BRAKE SENSOR BRACKET	2						
12	WF01-CO-A43	WHEEL BEARING	2						
13	WF01-CO-B68	RIM 9 SPOKES 13,7"X13"	2						
	WF01-CO-B69	RIM 9 SPOKES 12,5"X13"							
	WF01-CO-B73	MICHELIN TYRE 26/64-13							
14	WF01-CO-B76	MICHELIN TYRE 32/66-13	2						
	WF01-CO-B79	PIRELLI TYRE 32,5/66-13							
15D	WF01-CO-C20D	ENDURANCE BRAKE CALIPER RH	1						
15S	WF01-CO-C20S	ENDURANCE BRAKE CALIPER LH	1						
16D	WF01-CO-C21D	ENDURANCE BRAKE DISC RH	1						
16S	WF01-CO-C21S	ENDURANCE BRAKE DISC LH	1						
17	WF01-CO-C22	BRAKE PAD	4						
18	WF01-CO-C67	IR TEMPERATURE SENSOR	2						
19	WF01-SC-A16	REAR CAMBER NUT	4						
20	WF01-SC-A35	HACKERMANN REAR	2						
21	WF01-SC-A42	DRIVE PEG	12						
22	WF01-SC-A47	REAR WHEEL HUB	2						
23	WF01-SC-A56	STUD NUT LOCK	2						
24	WF01-SC-A60	WHEEL STUD WASHER	2						
25	WF01-SC-A68-A	REAR CAMBER SHIM 0,5							
26	WF01-SC-A68-B	REAR CAMBER SHIM 1							
27	WF01-SC-A68-C	REAR CAMBER SHIM 2							
28	WF01-SC-A68-D	REAR CAMBER SHIM 3							
29D	WF01-SC-A88	RH WHEEL NUT	1						
29S	WF01-SC-A89	LH WHEEL NUT	1						





MISTRAL Circuit - STEERING SYSTEM Exploded view

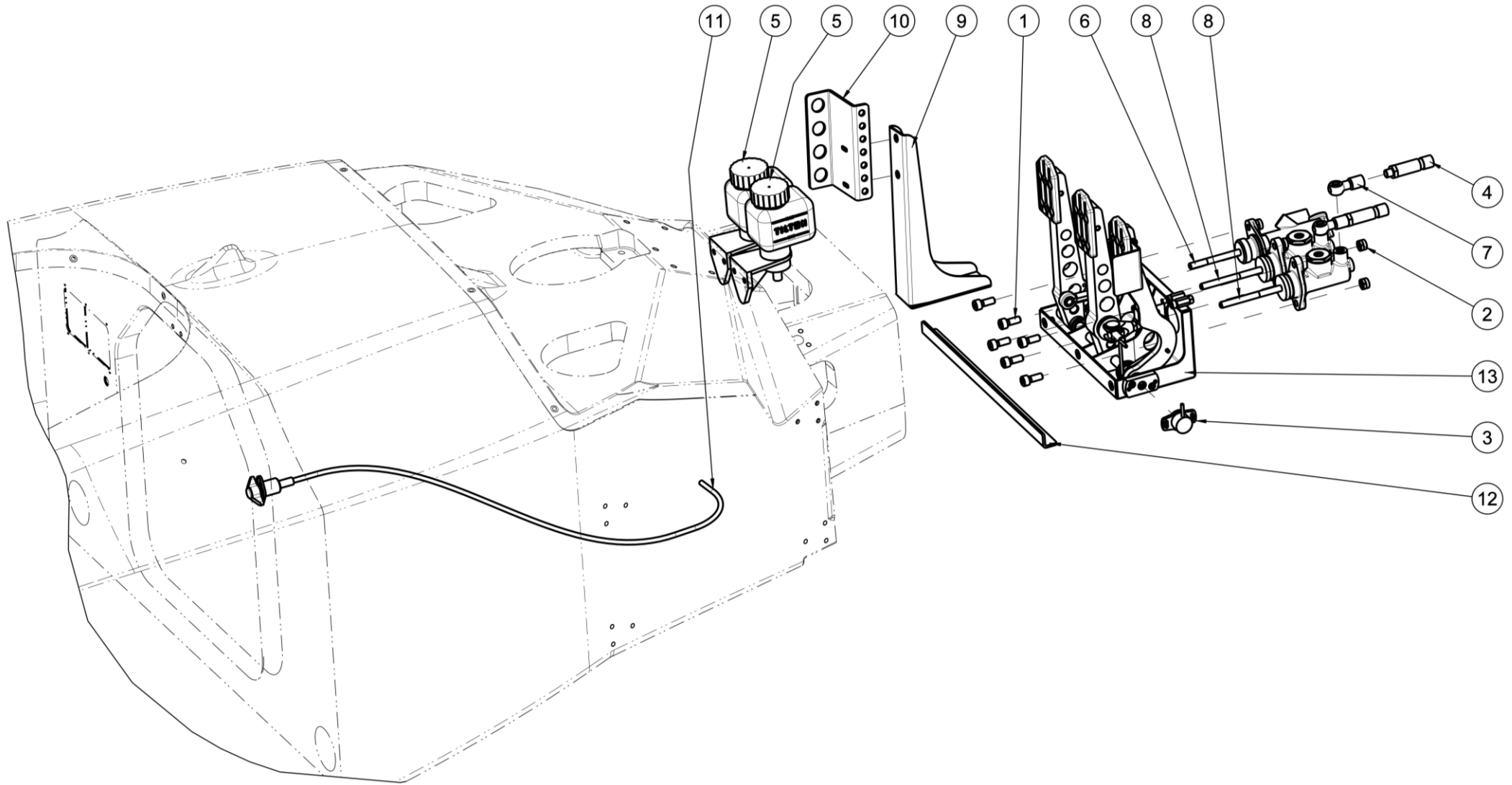


Pos.	Part no.	Description	Q.ty	€	Pos.	Part no.	Description	Q.ty	€
1	ISO7380_M4X6_8-8	BOLT UNI ISO 7380 M4X6	16						
2	UNI5588_M5_8-8	NUT UNI5588 M5	6						
3	UNI7435_D17	SHAFT LOCK RING UNI7435 D17	1						
4	WF01-CO-A07-A	QUICK RELEASE	1						
5	WF01-CO-A29	COMBINED BEARING 18X24 OPEN	1						
6	WF01-CO-A30	WASHER FOR NEEDLE ROLLER 18X29,5X2	1						
7	WF01-CO-B27-A	ROTARY POTI 350°	1						
8	WF01-ST-A02	UPPER STEERING COLUMN BUSH	1						
9	WF01-ST-A03	LOWER STEERING COLUMN BUSH	1						
10	WF01-ST-A04	LOWER STEERING COLUMN SUPPORT	1						
11	WF01-ST-A06	LOWER BUSH SPACER 2	1						
12	WF01-ST-A11	LOWER BUSH SPACER 1	1						
13	WF01-ST-A12	STEERING COLUMN UNIVERSAL JOINT	1						
14	WF01-ST-A32	EASY STEERING WHEEL W/PADDLE ASSY	2						
15	WF01-ST-B00-A	CENTRAL STEERING WHEEL ASSY	1						
16	WF01-ST-B09	PADDLE	4						
17	WF01-ST-B15	UPPER STEERING COLUMN SUPPORT	1						
18	WF01-ST-B20	TRACK ROD	2						
19	WF01-ST-B21	STEERING WHEEL SPACER	1						
20	WF01-ST-C00	STEERING COLUMN W/QUICK RELEASE	1						
21	WF01-ST-C03	STEERING COLUMN ADAPTER BUSH	1						



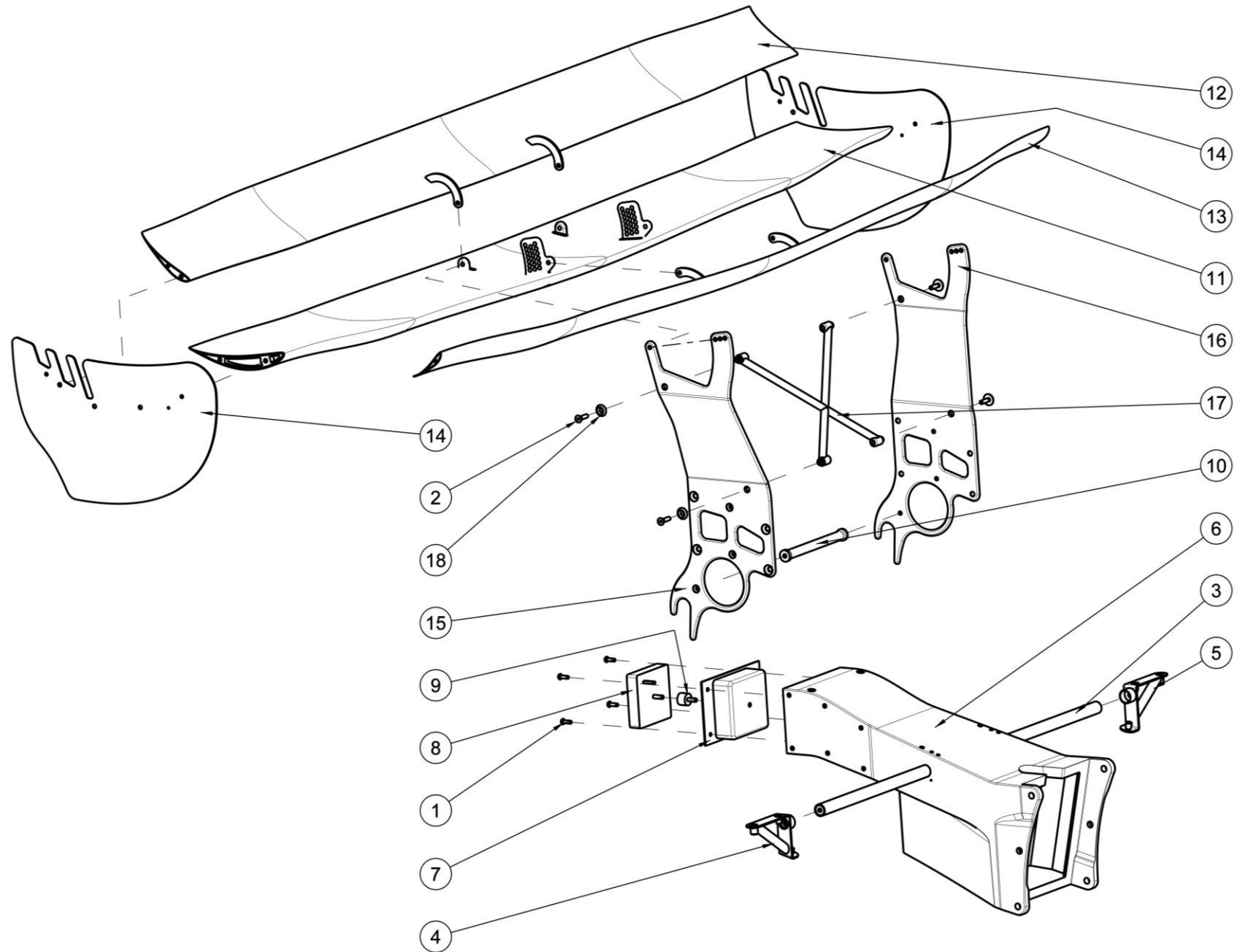


MISTRAL Circuit - PEDALS Exploded view



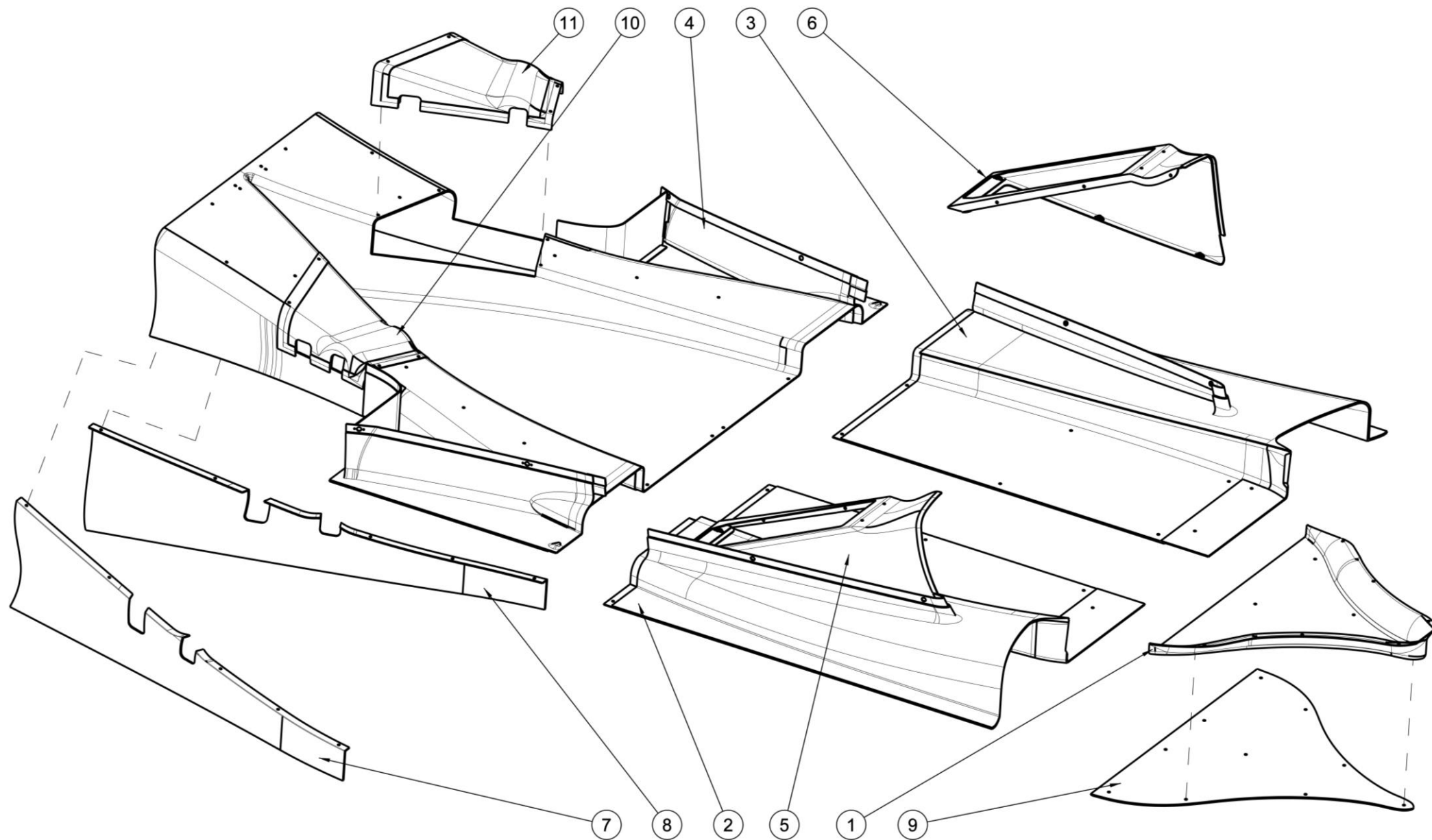


MISTRAL Circuit - REAR WING Exploded view



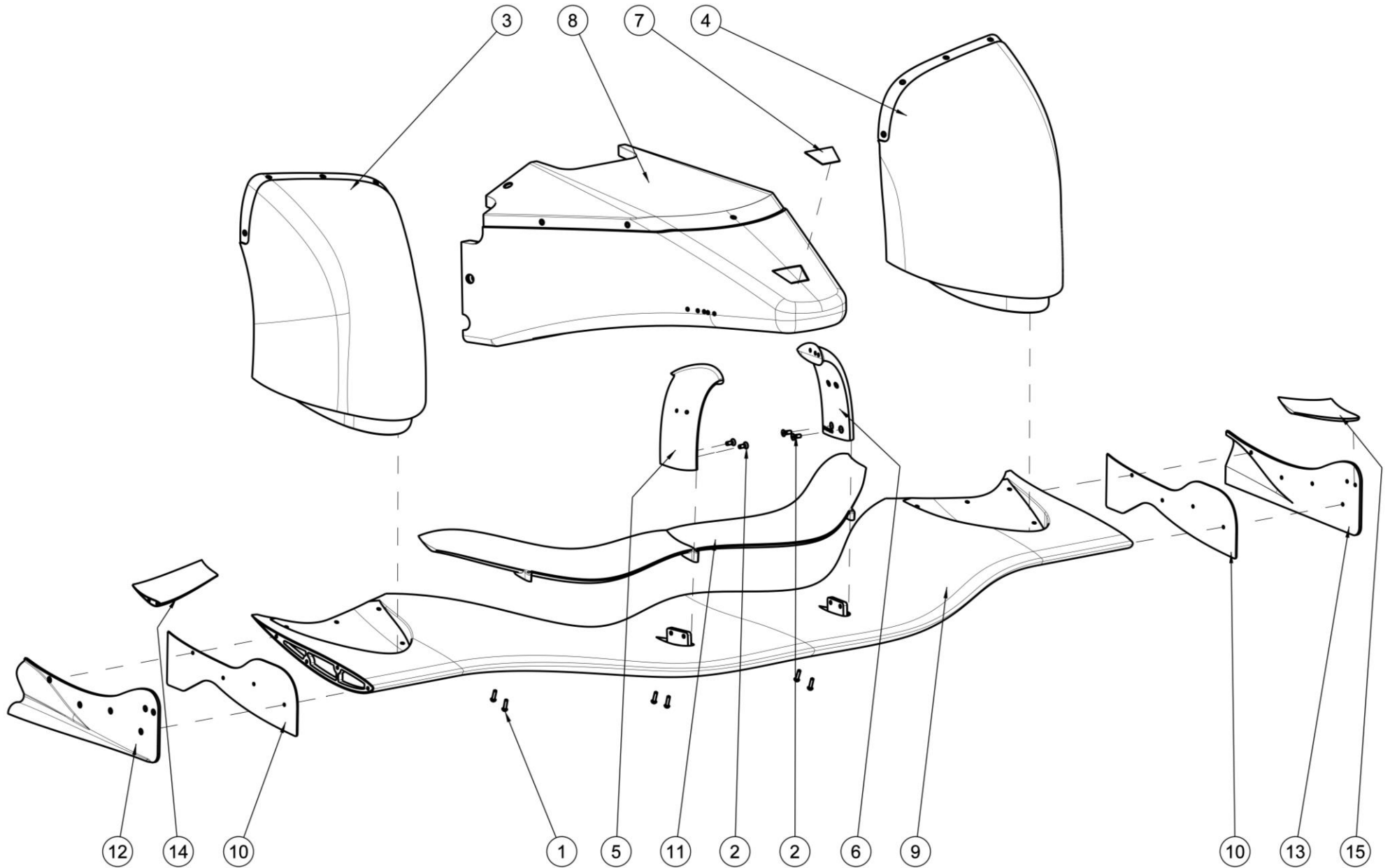


MISTRAL Circuit - FLOOR Exploded view



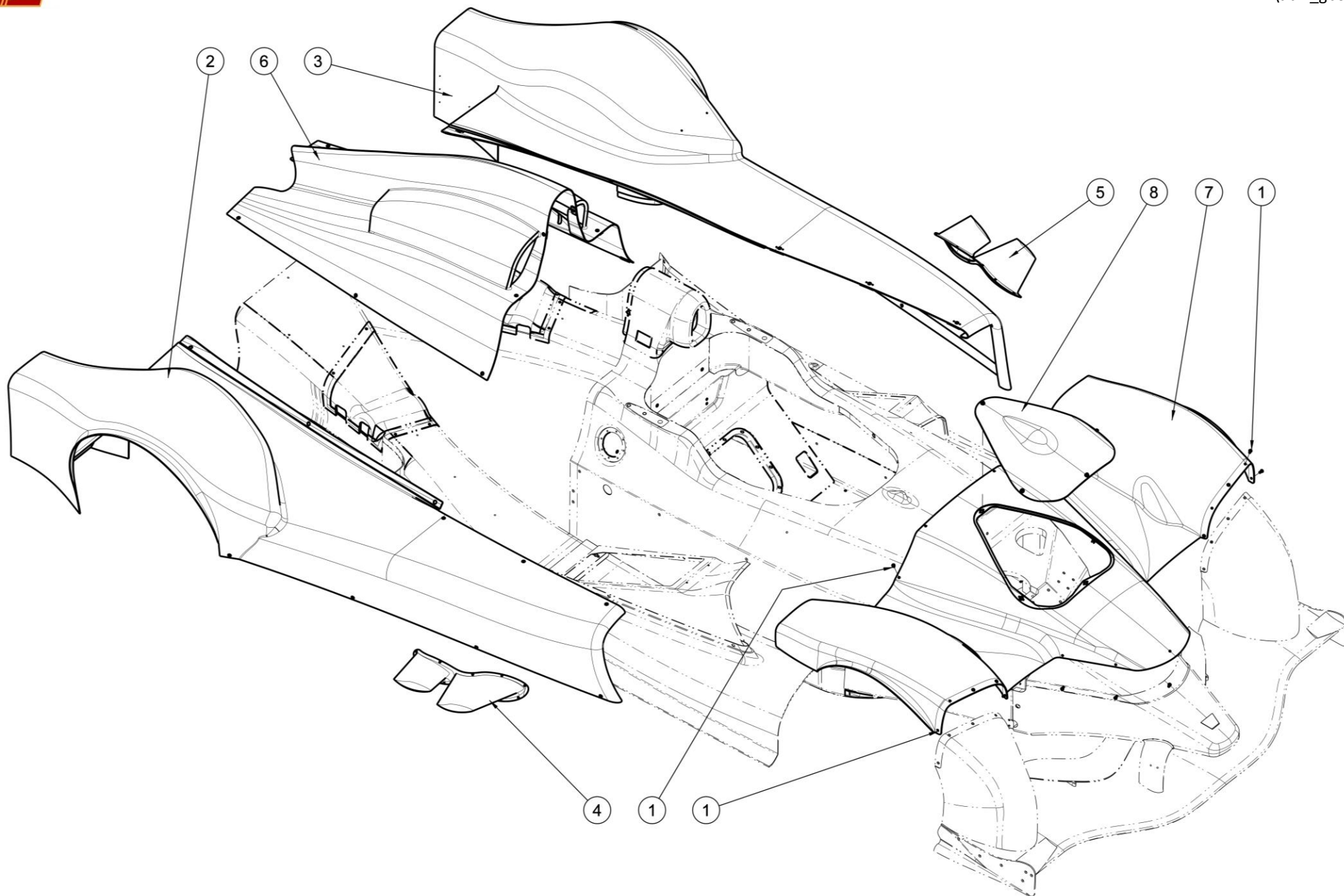


MISTRAL Circuit - SPLITTER WITH NOSE Exploded view





MISTRAL Circuit - BODYWORK Exploded view





MISTRAL Circuit - CAMERA Exploded view

